

Bicolour level gauge type green-red

Glass-mica, lateral connection

Anwendung und Funktion

The bicolour level gauge is a direct water level gauge which can be used for steam generators.

In the sight opening, the water space is indicated in green and the steam space in red. The product corresponds to the EU 2014/68/EU. Applied standards as per EN 13445 / EN 12952 / EN 12953 / AD 2000 or ASME-Boiler.

Technical basic equipment

- Body material carbon steel according to ASME
- As left sided (mapped) or right sided model
- Sight length see table
- With drain valve and ventilation plug
- Illumination device LEDSecure SOL, IP67
- Shutoff valves type A130, A150 and A220
- Drain valve type AV500, AV 520

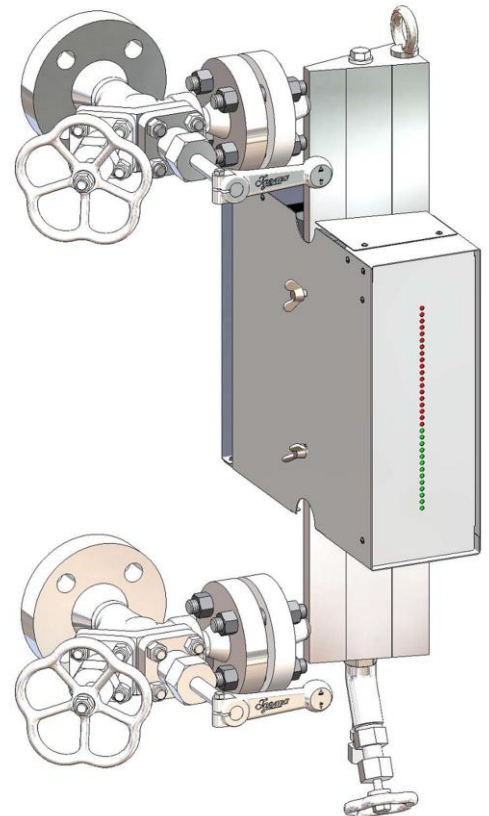
Available (optional) versions

- Other drain valve
- Low level mark

Technical data

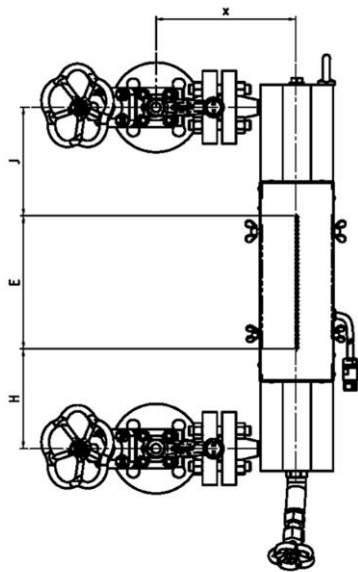
Allowable pressure	PS [bar]	20	32	50	80
Allowable temperatur	TS [° C]	215	239	265	296
Shutoff valve	Typ	A130		A150	
	Datenblatt	D-09-D-16354-0		D-09-D-16355-0	
	Typ	A220			
	Datenblatt	D-09-D-16356-0			
Drain valve	Typ	AV500		AV520	
	Datenblatt	D-09-D-16358-0			

Illumination device	Type	LED Duo SOL 8
	Protection	IP67
	Data sheet	D-A1-D-35030-EN-0

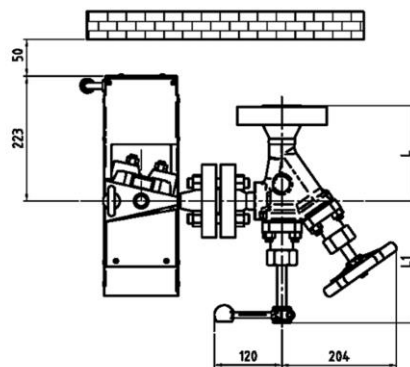
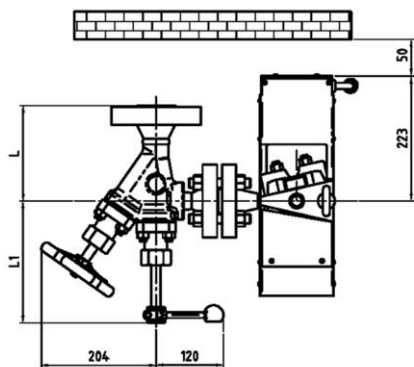
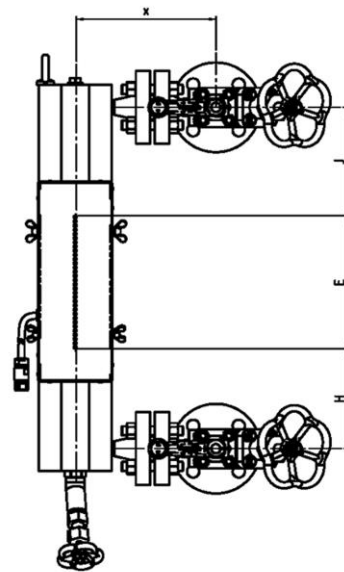


Technical data

Left sided model



Right sided model



Size		7	8	9	10	11
Sight length	E	260	300	320	350	400
Dimension	H/J _{min} [mm]	25				
	H/J _{max} [mm]	On request				



Information:

Depending on the size and version of the level gauge the customer has to arrange a sufficient brace support (eg. spring suspension etc.).

Dimensions and tables

Allowable pressure PS [bar]	Valve	Flange	L [mm]	Welding end	L [mm]	X [mm]
32	A130	DN20	170	DN20		215
50	A150	DN25	129	DN25		215
80	A150	DN 25	129	DN25		225
80	A220	DN25	160	DN25	160	225

